

SONY

Hi-Fi Products
Service Bulletin

Sony Service Company - Technical Services
A Division of Sony Corporation of America
Sony Drive, Park Ridge, New Jersey 07656

Model: D4/D4T

No. 41

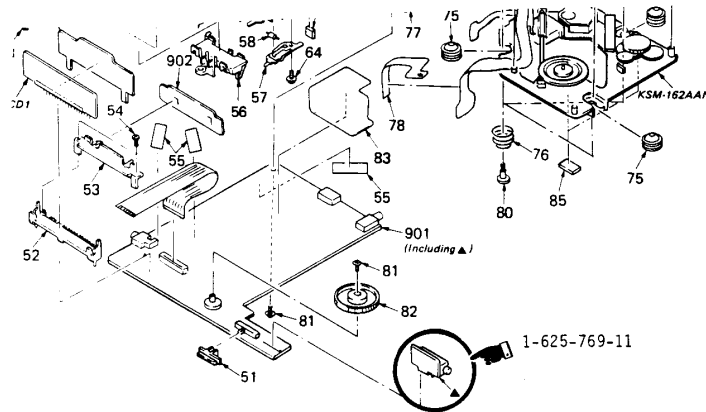
Subject: Missing Part Number

Date: November 18, 1988

Symptom:
(**)

The part number for the headphone PCB is not listed in the service manual.

Solution: The part number is 1-625-769-11.



Portable Compact Disc

CSA-13

Reference: FAX A881146

PRINTED IN U.S.A.
CSA-131188-1